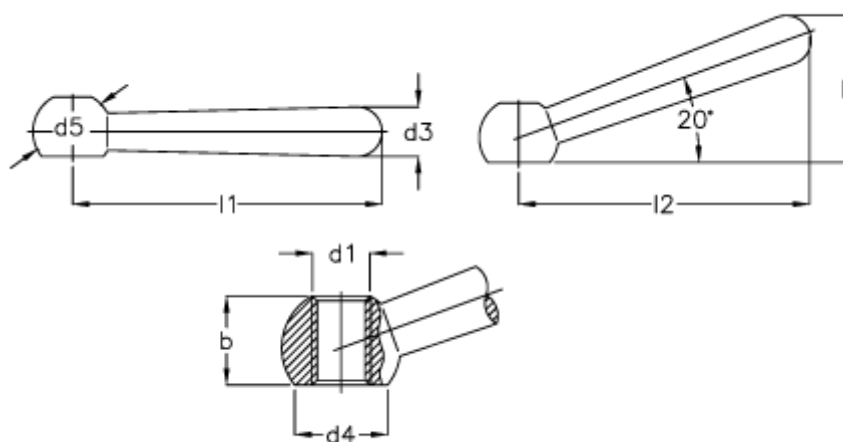


Article number: 20414492

Description: E+G Clamping lever
DIN 99-200-M 24-N

Measures



B = 40.0

d1 = M 24

d3 = 32

d4 = 34.5

d5 = 50

h = 97.0

l1 = 200

l2 = 190